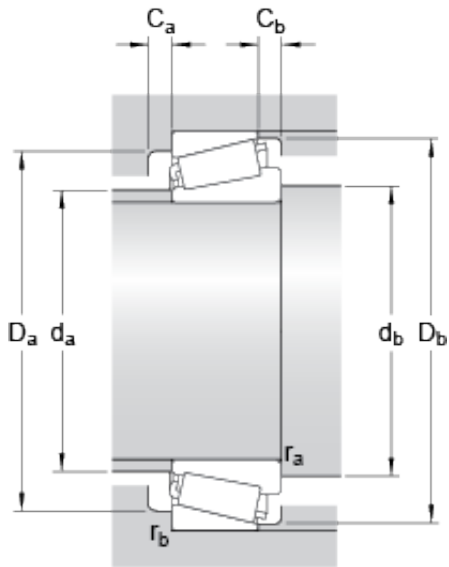




China 608z Bearing Supplier



30204 Bearing 2D drawings and 3D CAD models

SKF Taper Roller Bearing 30204 30205 30206 30207 30208

Bearing No. 30204

Dimension series	2DB
d	20 mm
D	47 mm
T	15.25 mm
d ₁	33.7 mm
B	14 mm
C	12 mm
r _{1,2} min.	1 mm
r _{3,4} min.	1 mm
a	11.028 mm
d _a max.	28 mm
d _b min.	26.5 mm
D _a min.	40 mm
D _a max.	41.5 mm
D _b min.	43 mm
C _a min.	2 mm
C _b min.	3 mm
r _a max.	1 mm
r _b max.	1 mm
Basic dynamic load rating C	34.1 kN
Basic static load rating C ₀	28 kN
Fatigue load limit P _u	3 kN
Reference speed	12000 r/min
Limiting speed	15000 r/min
Calculation factor e	0.35



China 608z Bearing Supplier

Calculation factor Y	1.7
Calculation factor Y_0	0.9
Mass bearing	0.12 kg